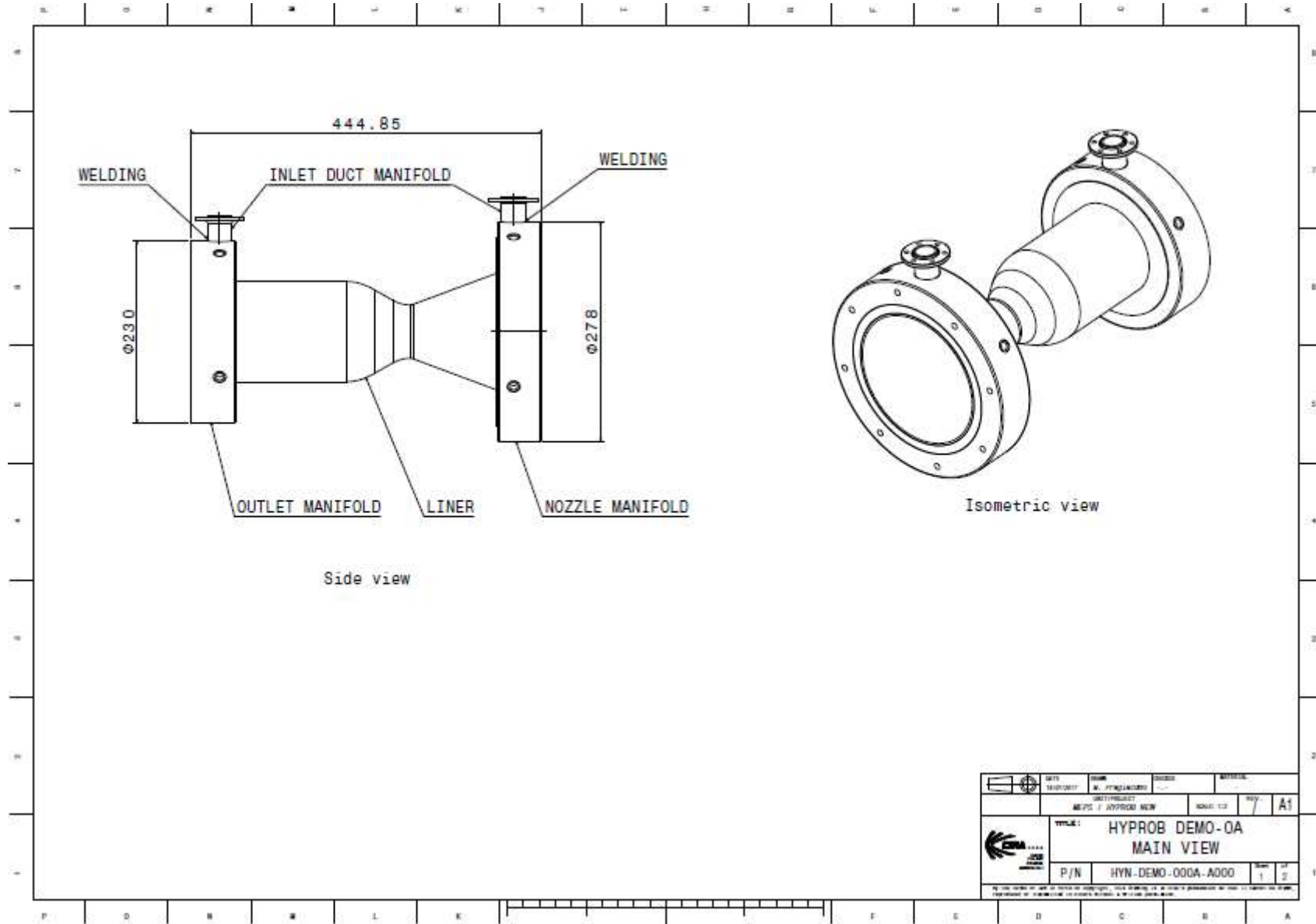


Lista delle parti dell'assieme da realizzare.

	Description	Q.ty
1	DEMO-0A - CHAMBER ASSY	1
2	DEMO WITH MANIFOLD	1
3	LINER WITH MANIFOLDS	1
4	LINER COPPER-COATED	1
5	LINER	1
6	NICKEL/COPPER-ELECTRO PLATED LINER	1
7	OUTLET MANIFOLD -	1
8	NOZZLE MANIFOLD -	1
9	INLET DUCT MANIFOLD	2



DATE	FORM	SCALE	MATERIAL
20/01/2011	ME / ATTACCHI/001	1:1	
OBJECT/PRODUCT		SCALE: 1:1	REV: 7 A1
TITLE: HYPROB DEMO-0A MAIN VIEW			
P/N	HYN-DEMO-000A-0000	Sheet	2
		1	

